

# Bus VOD II™

**Compact (9.2 inches) 3G/4G Linux® based Wi-Fi VOD (Video on Demand) HD (1080p) HLS server for use on buses and other mass transit. Plays content, pre-programmed ads, information videos, and full length movies on passengers own mobile devices. Remotely manageable. Content is easily uploaded to the removable SSD/HDD drive via IP. Ships with a small collection of classic movies.**



## Features

- Miniature VOD server enables bus passengers to stream video or music to their mobile devices via Wi-Fi
- IP Input: H.264 transport stream files
- IP output: HLS@1080p
- Integrated with optional seat-side USB power supply to provide charging to mobile devices
- Supports modern Apple iOS and Android™ devices
- Supports 3G/4G to increase the number of online devices
- Operators can offer the service for free and generate revenue from ads (plays up to ten 30-second ads), or operators can offer the service as pay TV
- Web-based GUI enables operators to manage ads, content, and server settings
- Passenger program guides can be displayed in multiple languages
- A larger external Wi-Fi antenna can be applied to improve the coverage range
- Decoder for instant display to a TV set via HDMI out port

## Applications

- Entertainment and Information on municipal buses, school buses, tour buses, and trains
- Hospitals and medical offices
- Schools and universities
- Hotel Wi-Fi systems

## Overview

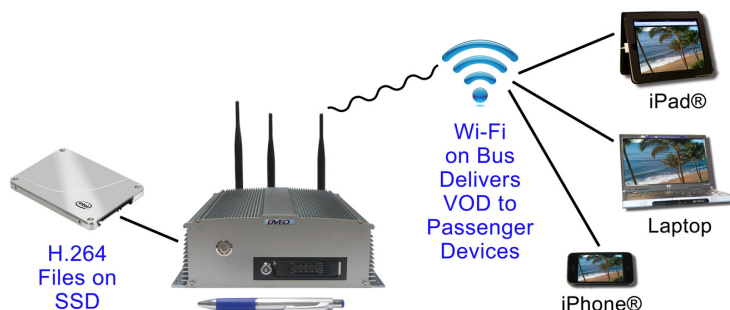
The Bus VOD II OTT system is an onboard Wi-Fi server which enables passengers/consumers to use their own smart phones or tablets to watch VOD movies, listen to music, or access information. This state-of-the-art, wireless-based system consists of an HLS server with Wi-Fi & 3G/4G and optional GPS, system management software, and Wi-Fi-based end-user devices.

The system includes several ad spots for operators to inject ad for revenue stream. The server also comes with a front-side removable SSD/HDD drive for easy replacement of new content SSD/HDD.

Currently many bus systems offer Wi-Fi, but block video due to limited bandwidth. With the Bus VOD II, operators give passengers the ability to select video content from a program guide. The system ships with a number of out-of-copyright full length movies.

This mini VOD system can be deployed in buses, MDU, hospitals, clubs, classrooms, restaurants, and more.

## Application Example



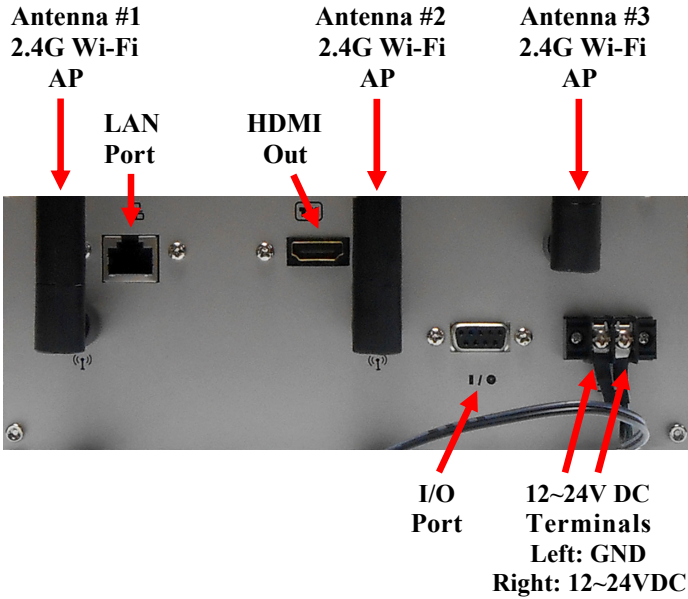
**Computer Modules, Inc.**

11409 West Bernardo Court  
San Diego, CA 92127

Tel: 858-613-1818 Fax: 858-613-1815

[www.dveo.com](http://www.dveo.com)

# Inputs/Outputs



# Specifications

## Input

Video – IP:	H.264/MPEG-4 AVC
Format profile:	Baseline@L 3.1
CABAC:	No
Nominal bit rate:	1,000 Kbps
Resolution:	720 x 480 (720p)

## IP Output

IP Output:	Multiple HLS streams
Resolution:	1920 x 1080 (1080p)
Ethernet:	Four 10/100 RJ45 Ethernet ports for LAN
Wi-Fi AP:	300 Mbps Wi-Fi Access Point
3G/4G:	Can link to 3G/4G router to share client – The router can be a Wi-Fi hotspot and the system can be a Wi-Fi client

## HDMI Output

HDMI for output to on-board monitor:	HDMI 1.4a – Supports 1080p HD
--------------------------------------	-------------------------------

## Administration

Access:	Web interface
---------	---------------

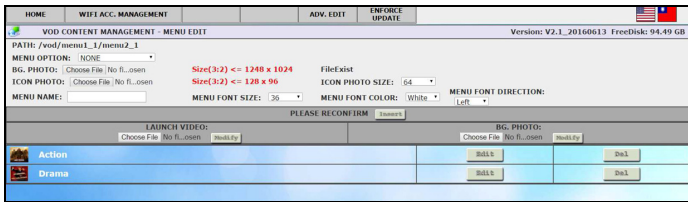
## CPU and Operating System

CPU:	Octa-Core Cortex-A7
OS:	Linux®
Storage:	Front panel 1-bay 2.5 inch SATA slot for SSD (max 500 GB) or HDD (max 2 TB) storage, with lock and key
D-SUB IO:	Supports driver control GPIO

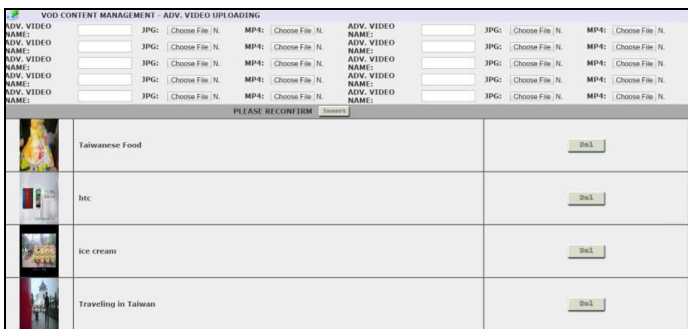
## Physical & Power

Size (W x D x H):	9.2 x 7.87 x 3.15 inches (234 x 200 x 80 mm)
Weight:	6.6 lbs. (3 kg)
Power:	Bus standard 24VDC input, screw terminal (9V-36VDC)
Power Consumption:	15W
Conformities:	UL, FCC, CE, RoHS

# Sample of GUIs



**Video Program Guide Setup**



**Upload Ads Setup**

# Ordering Information

Bus VOD II  
Options:  
External Wi-Fi antenna



**Computer Modules, Inc.**  
11409 West Bernardo Court  
San Diego, CA 92127

Tel: 858-613-1818 Fax: 858-613-1815

[www.dveo.com](http://www.dveo.com)