

# HCoder™ 4-32ch HDMI+

## Analog/IP

Real time Linux® based multichannel HDMI and Analog CVBS (composite) AVC/H.264 audio and video HD live encoder with 4 to 16 HDMI inputs, 4 to 16 CVBS inputs, and 4 to 16 IP outputs. CVBS output streams same resolution as input. HDMI supports input and output resolutions up to 1080p at 60 fps. Streams to Ustream and Atlas™, Wowza®, and Adobe® Flash® Servers. Optional HDMI only or Analog only versions available.



16 PCS 1 Port CVBS Encoder in 3RU Chassis 1 Main Power Supply 1 for backup



### Features

- Inputs: Simultaneously captures up to 16 Analog inputs and up to 16 HDMI inputs
- Outputs: Up to 32 simultaneous IP TS streams (RTMP or UDP)
- Outputs two RTMP streams per channel (main stream & 2nd Stream) to different media servers
- IP output protocols: RTMP, RTSP, UDP, RTP, HTTP, and ONVIF
- Output resolutions:
  - Analog: Same resolution as input
  - HDMI: Up to 1920x1080p@60 Hz, 720P@60 Hz
- Audio encoding: AAC
- Adjustable output stream bit rate – 0.8 to 12 Mbps
- Can insert text and .BMP photos as stream logo for main stream & second stream
- Remotely manageable
- Supports firmware upgrades
- Low power consumption – 90 watts
- Optional versions available:
  - 4 to 16 HDMI inputs (No CVBS)
  - 4 to 16 CVBS inputs (No HDMI)

### Applications

- reEncoding content for Dormitories and Apartments
- Streaming video to CDNs and web sites like Ustream®, Akamai®, Octoshape™, Verizon®, etc.
- NVR (Net Video Recorder)
- University or corporate training webcasts
- Hotel or cruise ship TV systems
- Video Conferencing
- Digital Signage

### Overview

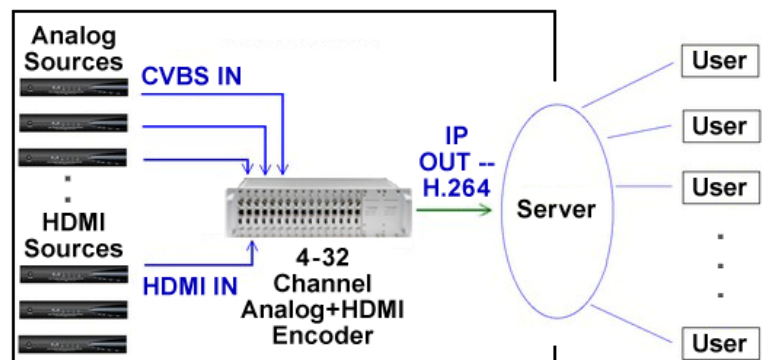
Analog is the low cost connection for digital uncompressed video. HDMI is the low cost connection for digital uncompressed video. Many video devices including cameras, DVD players, and video stream decoders output HD via Analog or HDMI to television sets.

H.264 has become the de facto standard for delivering video over IP.

DVEO's new H.264 HD audio & video encoder, the HCoder™ 4-32ch HDMI+Analog/IP, is a cost effective 4 to 16 channel Analog to IP Encoder and 4 to 16 channel HDMI to IP Encoder. It encodes up to 16 simultaneous Analog inputs, and/or up to 16 simultaneous HDMI inputs, then streams up to 32 IP streams to CDNs and web sites like Ustream®, Akamai®, Octoshape™, Verizon®, etc. IP protocols can be RTMP, RTSP, UDP, RTP, HTTP Stream Protocols and/or ONVIF.

The system includes remotely manageable Windows® based software. Audio encoding is AAC.

### Block Diagram

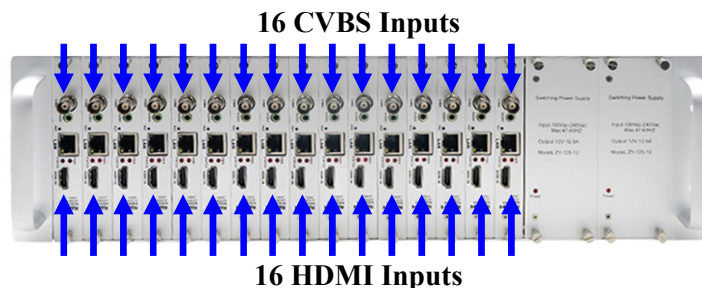


Computer Modules, Inc.  
11409 West Bernardo Court  
San Diego, CA 92127

Tel: 858-613-1818 Fax: 858-613-1815

[www.dveo.com](http://www.dveo.com)

# Inputs/Outputs



## Specifications

## Sample GUI

### Video Encoding

Inputs:	16 simultaneous HDMI inputs and/or 16 simultaneous CVBS inputs
HDMI Input Resolutions:	Maximum resolution 1920 x 1080p@60 Hz
Encoding:	H.264/AVC High Profile Level 4.0
Data Rate:	0.8 to 12 Mbps
Rate Control Modes:	CBR, VBR
GOP Structure:	IBBP
Advanced Pretreatment:	De-interlacing, Noise Reduction, Sharpening

### Audio Encoding

Encoding:	AAC
Sampling Rate:	Auto
Bit Rates:	48K/64K/96K/128K/160K/192K
Sampling Precision:	24 bit
Data Rate:	64 Kbps~384 Kbps

### IP Outputs

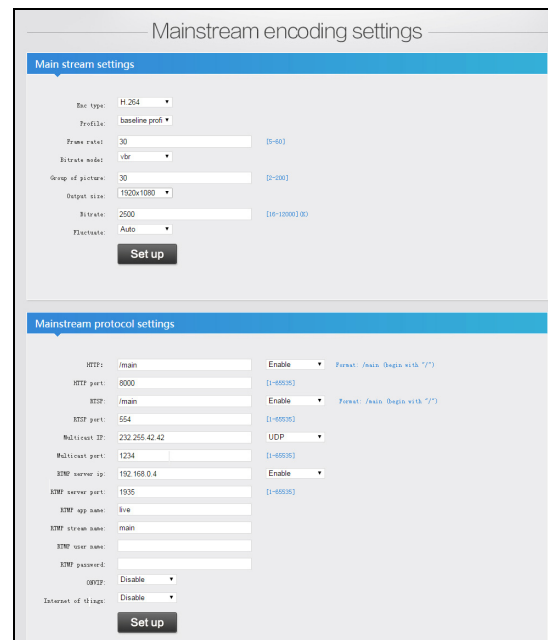
Outputs:	Up to 32 simultaneous IP streams
Interface:	100 Base-T Ethernet
Resolution:	CVBS output streams: Same resolution as input HDMI maximum resolutions: 1920x1080, 1680x1200, 1600x900, 1440x1050, 1440x900, 1360x768, 1280x720, 1280x800, 1280x768, 1024x768, 1024x576, 960x540, 850x480, 800x600, 720x576, 720x540, 720x480, 720x404, 704x576, 640x480, 640x360, 480x270
Protocols:	RTMP, RTSP, UDP/RTP, HTTP, ONVIF

### System

User Interface:	Web default IP – 192.168.1.168
-----------------	--------------------------------

### Physical and Power

Dimensions (WxDxH):	19 x 11.8 x 5.24 inches (483 x 300 x 133 mm)
Weight:	15.43 lbs (7 kg)
Power Supply:	110-220V
Power Consumption:	90W
Conformities:	FCC, CE



Sample Configuration Screen

## Ordering Info

HCoder 4-32ch HDMI+Analog/IP  
HDMI Only Option -- HCoder 4-32ch HDMI/IP  
CVBS Only Option -- HCoder 4-32ch Analog/IP



Digital Video ExtraOrdinaire™

Computer Modules, Inc.

11409 West Bernardo Court

San Diego, CA 92127

Tel: 858-613-1818 Fax: 858-613-1815

[www.dveo.com](http://www.dveo.com)