

# HD Spigot™ H/S

**Real Time HDMI to HD-SDI (SMPTE 259M-C or SMPTE 292M) Converter for Importing Unrestricted (No HDCP) HD Content From HDMI Cameras and Other Video Sources to HD-SDI Devices Such as HD Encoders and File Servers**



RoHS 

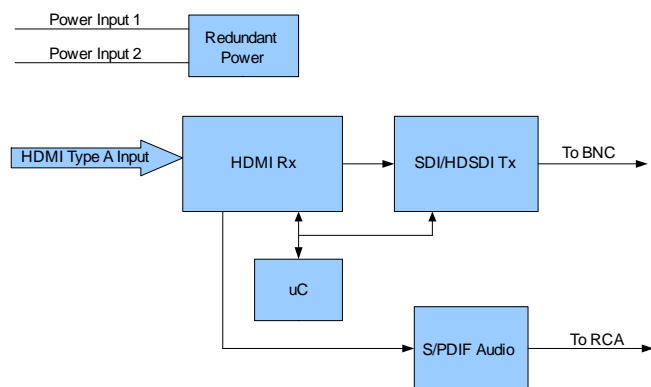
## Features

- Converts HDMI to HD-SDI in real time
- Input: HDMI
- Output: SMPTE 259M-C (SD) or SMPTE 292M (HD)
- Supports 480i (SD) and 720p, 1080i (HD)
- Embedded Audio (up to 8 Channels)
- Supports S/PDIF audio output
- Redundant 12V DC power supplies
- OEM versions available
- Manufacturing license available
- RoHS compliant (2002/95/EC)

## Applications

- Using small portable cameras for remote shoots
- Electronic news gathering (ENG)
- Sports broadcasting

## Block Diagram



## Ordering Information

HD Spigot H/S

© 2010 Computer Modules, Inc. DVEO and HD Spigot are trademarks of Computer Modules, Inc. HDMI is a trademark of HDMI Licensing LLC. All other trademarks and registered trademarks are the properties of their respective owners. All rights reserved. Specifications are subject to change without notice.

## Overview

HDMI has quickly become one of the major standards for uncompressed video in the consumer world. Many input devices support HDMI, such as cameras and recorder/players – and many more are yet to come.

On the professional side, many HD devices support HD-SDI as the preferred HD input. Most HD encoders and HD video servers generally support HD-SDI.

With **HD Spigot™ H/S**, professionals can interface new low cost HDMI devices to professional HD-SDI equipment. HD Spigot converts HDMI to HD-SDI in real time. It supports unrestricted (No HDCP) HDMI devices, such as JVC cameras and recorders, and others. The HD-SDI output is fully compatible with SMPTE 292M. HD Spigot H/S supports 480i SD and 1080i or 720p HD.

HD Spigot H/S lets broadcasters and content providers use small HDMI cameras for remote shoots and electronic news gathering. It's also useful for showing HDMI footage on HD-SDI monitors and displays.

## Specifications

<b>Dimensions</b>	
Width:	3.1" (7.8 cm)
Length:	5.65" (14.3 cm) incl. connectors
Thickness:	1.7" (4.3 cm)
<b>Typical Weight</b>	0.4 lbs (0.18 kg)
<b>Input Connectors</b>	HDMI Type A
<b>Output Connectors</b>	75 Ohm BNC (HD-SDI Video) 75 Ohm RCA (S/PDIF Audio)
<b>Typical Power</b>	210mA at 12V
<b>Operating Temperature</b>	0 to 55 Celsius
<b>Operating Humidity</b>	To 90% non-condensing
<b>Status LED Indicators</b>	Power 1, Power 2 1080i, 720p, 480i

**DVEO**  
Broadcast Division

11409 West Bernardo Court  
San Diego, CA 92127

Tel: (858) 613-1818 Fax: 858-613-1815

[www.dveo.com](http://www.dveo.com)