

HD Spigot™ S/H

Real Time HD-SDI (SMPTE 292M) to HDMI Converter for Importing Unrestricted (No HDCP) HD Content From HD-SDI Cameras and Other Video Sources to HDMI Devices Such as Monitors, Encoders, and File Servers



RoHS 

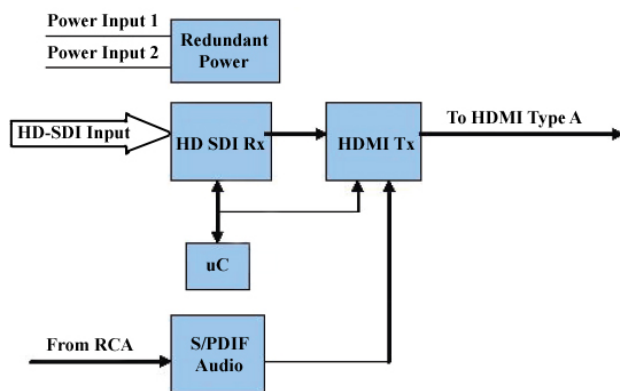
Features

- Converts HD-SDI to HDMI in real time
- Input: SMPTE 292M (HD)
- Output: HDMI
- Supports 720p, 1080i (HD)
- Embedded Audio (up to 8 Channels)
- Supports S/PDIF audio input
- Redundant 12V DC power supplies
- OEM versions available
- Manufacturing license available
- RoHS compliant (2002/95/EC)

Applications

- Connecting low cost HDMI monitors to HDSDI cameras and editing systems
- Electronic news gathering (ENG)
- Sports broadcasting

Block Diagram



Overview

HDMI has quickly become one of the major standards for uncompressed video in the consumer world. Many input devices support HDMI, such as cameras, digital set-top boxes and recorder/ players – and many more are yet to come.

On the professional side, many HD devices support HD-SDI as the preferred HD output. Most professional HD video sources generally support HD-SDI.

With **HD Spigot™ S/H**, professionals can interface professional HD-SDI equipment to new low cost HDMI devices. HD Spigot S/H converts HD-SDI to HDMI in real time. The HD-SDI input is fully compatible with SMPTE 292M. HD Spigot S/H supports 1080i or 720p HD. The frame rate output matches the frame rate input.

HD Spigot S/H lets broadcasters and content providers use low cost HDMI monitors with HD-SDI cameras and editing systems.

Specifications

Dimensions	
Width:	3.1" (7.8 cm)
Length:	5.65" (14.3 cm) incl. connectors
Thickness:	1.7" (4.3 cm)
Typical Weight	
0.57 lbs (260 g)	
Output Connectors	
HDMI Type A	
Input Connectors	
75 Ohm BNC (HD-SDI Video) 75 Ohm RCA (S/PDIF Audio)	
Typical Power	
600mA at 12V	
Operating Temperature	
0 to 55 Celsius	
Operating Humidity	
To 90% non-condensing	
Status LED Indicators	
Power 1, Power 2	

Ordering Information

HD Spigot S/H (Model 179)

© 2010 Computer Modules, Inc. DVEO and HD Spigot are trademarks of Computer Modules, Inc. HDMI is a trademark of HDMI Licensing LLC. All other trademarks and registered trademarks are the properties of their respective owners. All rights reserved. Specifications are subject to change without notice.

DVEO
Broadcast Division

Computer Modules, Inc.

11409 West Bernardo Court

San Diego, CA 92127

Tel: (858) 613-1818 Fax: 858-613-1815

www.dveo.com