

# Lantana™ IP/ISDB-S

**Small, Standalone, Multi-Function, Frequency Agile, ARIB STD-B20 v3 Compatible ISDB-S Modulator with Remote Management Software and Playback Scheduler. Accepts MPEG-2 or H.264 Streams (SPTS or MPTS) from IP, Local USB “Stick”, or SD Memory Card. Perfect Remotely Manageable RF Modulator with Local Storage, for Digital Signage, Trade Shows, Testing, and More. Modify Setup via Any Ethernet Connection – No Computer Required to Operate. Set Up Remotely and Forget. Will Play Multiple Stored Clips from Internal Play List via a Scheduler.**



## ISDB-S

### Overview

RF modulators convert a video signal to RF (radio frequency) so the video can be transmitted to a television via its RF input.

ISDB-S (Integrated Services Digital Broadcast – Satellite) is the digital broadcasting standard used in Japan and Brazil for satellite broadcasting.

The **Lantana IP/ISDB-S** is a remotely operated, software definable, frequency agile modulator that sends live or recorded video streams to multiple HD monitors via inexpensive RF over coaxial cable. With its included software, one can create a powerful remote signage server. It does not need a computer to feed content to it.

For example, retailers can install one unit at each store, along with a USB thumb drive loaded with numerous videos. Using remote management software, an operator in the home office can program which video will play out on multiple HD monitors at each location. The Lantana IP/ISDB-S is also suitable for set-top box testing and laboratory applications.

The input can be IP or USB, single or multi program transport streams. One ISDB-S channel can have two HD streams.

Customers can purchase licenses for additional modulation profiles and upgrade the unit immediately. The Lantana IP/ISDB-S accepts and plays out MPEG-2 or H.264 streams (SPTS or MPTS) from IP, or plays transport streams from a local flash-based USB “stick”.

### Features

- Input: IP or USB – plays transport streams from RTP/UDP over Ethernet, SD memory card, or USB stick
- Accepts MPEG-2 or H.264 Streams (SPTS or MPTS)
- Output: Frequency Agile ISDB-S
- RF Output Frequency: 36-2150 MHz
- Payload = Up to 52.17 Mbps
- ARIB STD-B20 v3 compliant
- Field upgradeable – can be reprogrammed to add additional profiles or new firmware
- Playback Scheduler for Day, Week, or Month
- Ships with Java®-based application GUI
- Programmable RF output level (0.1 dB step)
- White noise addition over modulated signal to have desired C/N ratio
- Sample transport streams available
- Special Bundle Prices for multiple modulations
- Works standalone and will reboot to configured state

### Applications

- Digital signage
- In Store Demos of ISDB-S receivers
- Sending HD video to multiple monitors in sports arenas and stadiums
- Set-top box testing
- Laboratory applications



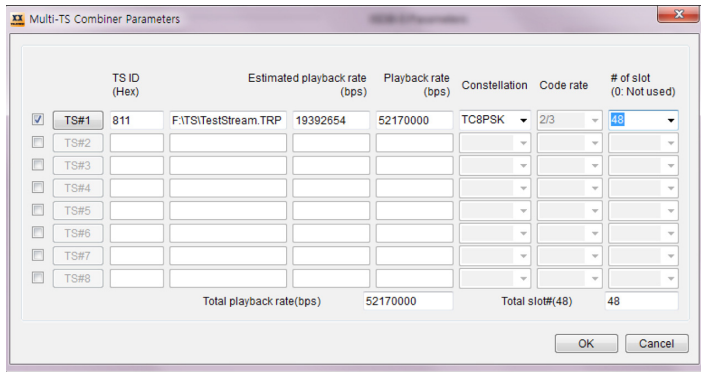
**Computer Modules, Inc.**

**11409 West Bernardo Court**

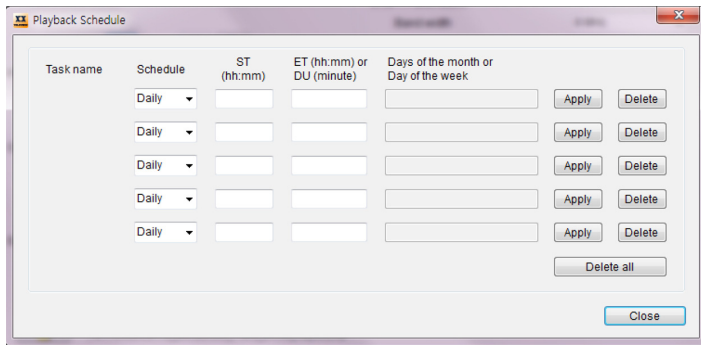
**San Diego, CA 92127**

**Tel: 858-613-1818 Fax: 858-613-1815**

[www.dveo.com](http://www.dveo.com)

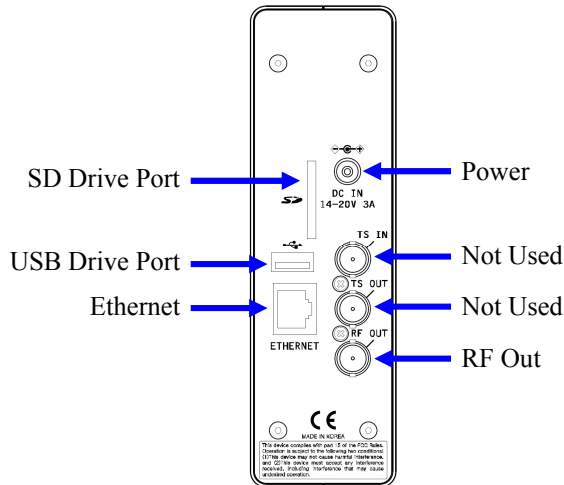


**ISDB-S Parameters**



**Playout Scheduler**

**Rear Connectors**



**Ordering Information**

Lantana IP/ISDB-S

Note: Software ships with Lantana IP/ISDB-S at no additional cost. This unit is upgradeable with all other modulations, like ISDB-Tb, QAM, 8VSB, DVB-C2, DVB-S/S2, DVB-T, DVB-T2, CMMB, DTMB, T-DMB, etc.

© 2018 Computer Modules, Inc. DVEO and Lantana are trademarks of Computer Modules, Inc. All other trademarks and registered trademarks are the properties of their respective owners. All rights reserved. Specifications are subject to change without notice.

**Specifications**

**Inputs/Outputs**

Input	UDP over IP (CBR only), USB, or SD card
Output	ISDB-S
RF output	Frequency: VHF/UHF 36~2150 MHz Level: VHF/UHF -31.5 to 0 dBm Freq accuracy: Within 3ppm accuracy Attenuation step: 0.1dB Phase noise <-90dBc/Hz @ 10 KHz
Connectors	75 Ohm BNC
Bitrate	Up to 52.17 Mbps
Ethernet	10/100/1000 Mbit Ethernet port for remote control and TS input
USB	USB 2.0 for flash memory
SD Card	SDHC class 2/4/6/10 supported

**ISDB-S Specifications**

Standard	ARIB STD-B20 v3 compliant
FEC	Inner: Trellis, convolutional coders Outer: RS (204, 188)
Modulation	TP8PSK, QPSK, BPSK (hierarchical)
Code Rates	1/2, 2/3, 3/4, 5/6, 7/8 selectable
Guard Interval	*ISDB-S modulation from DVB-ASI input is not supported *Supports framed TS with TMCC (1~8 TS have 48 total slots, can be selected)

**Physical & Power**

Dimensions (length x width x height)	9.25 x 2.76 x 6.7 inches (235 x 70 x 170 mm)
Weight	3.2 lbs. (1.45 kg)
Power	External 14-20V DC power supply
Operating Temperature	32° to 95° F (0°C to 35°C)
Humidity	10% ~ 90%, Non-condensing
Conformities	FCC, RoHS, CE Mark



**Computer Modules, Inc.**  
11409 West Bernardo Court  
San Diego, CA 92127

Tel: (858) 613-1818 Fax: (858) 613-1815

[www.dveo.com](http://www.dveo.com)