

Re Mod IP™ DVB-S-S2/2ch to ISDB-T/2ch

Broadcast Quality, Modular, 1 RU frame with two single channel DVB-S-S2 demodulator modules and two ISDB-T RF modulators. Designed for Hospitality Industry where ISDB-T content is repurposed from existing satellite feeds.



Features

- Inputs: Up to two each DVB-S or DVB-S2 channels
- Outputs: Up to two each ISDB-T channels
- Each demodulator module supports DVB-ASI or IP inputs
- Supports Pro-MPEG FEC on IP input
- New preview screen displays decoded output
- SNMP (Gigabit Ethernet) management support
- Optional FAULT contact output
- ETS 302 307 standard compliant
- Programmable RF output frequency 55~2150 MHz (1 Hz step)
- Programmable RF output level -80 ~ 0dBm (0.1dB step)
- White noise addition over modulated signal to have desired C/N ratio
- SNMP (10/100/1000 Ethernet) remote web-based LAN management
- Firmware upgradeable via Internet
- SNMP management support (GigE)

Overview

Since the 70's, satellites revolutionized long distance content delivery. DVB-S and DVB-S2 are the modulation standards used for satellite broadcasting worldwide.

The Re Mod IP DVB-S-S2/2ch to ISDB-T/2ch is a modular rack two channel demodulator/decoder with two DVB-S/S2 input modules and two ISDB-T output modules.

Each demodulator module is equipped with DVB-ASI and IP outputs. Each modulator module is equipped with DVB-ASI and IP inputs.

The purpose of this product is to demodulate satellite content and remodulate the satellite services to ISDB-T.

Applications

- Hospitality
- Product Testing

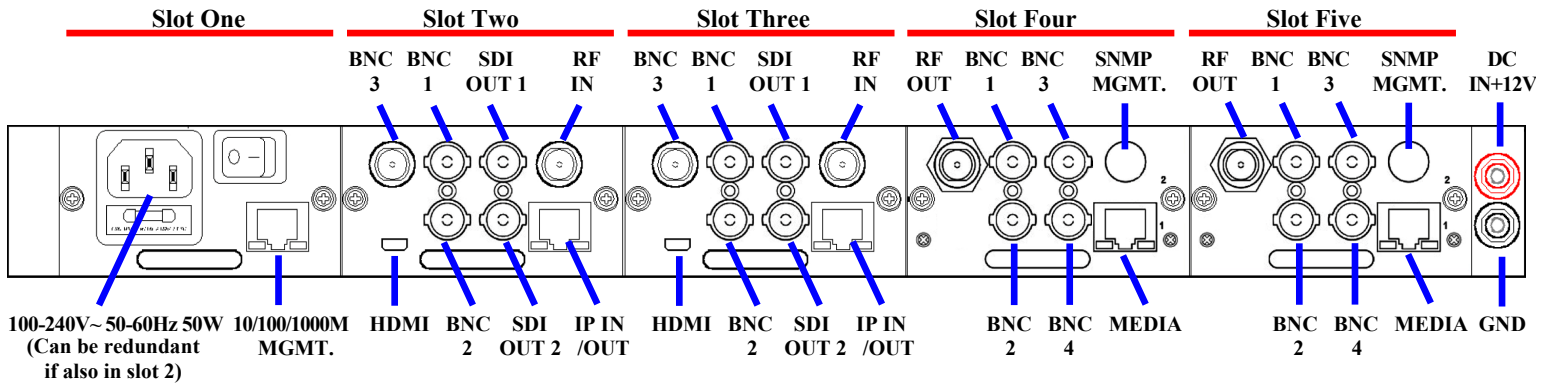


Computer Modules, Inc.
11409 West Bernardo Court
San Diego, CA 92127

Tel: (858) 613-1818 Fax: (858) 613-1815

www.dveo.com

Rear View



Specifications

Front Display/Keys	<ul style="list-style-type: none"> 2 lines by 40 characters LCD 11 keys for Easy Control ENTER, EXIT, ARROW, and Slot Selection Keys
Slots	Five slots: One power supply module, two DVB-S/S2 demodulator/decoder modules, and two ISDB-T output modules
DVB-S2/S RF Input	
Channel	950-2150 MHz RF Selectable
Connector	2 x 75 Ohm BNC-type Connector (8VSB/QAM or DVB-T+T2 options available)
Symbol Rate	DVB-S2 (8PSK/QPSK): 10 ~ 30 Msps DVB-S (QPSK): 2 ~ 45 Msps
TS Input	
Formats	IP (with FEC), DVB-ASI
Connectors:	75 ohm BNC, RJ-45
ISDB-T Output	
Standard	ARIB STD-B31 v1.6 compliant
Mode	Mode I, Mode II, Mode III
Code Rates	1/2, 2/3, 3/4, 5/6, 7/8 selectable
Mapping	DQPSK, QPSK, 16QAM, 64QAM
Guard Interval	1/4, 1/8, 1/16, 1/32
Timing	Mode I - 0, 4, 8, 16
Interleaving	Mode II - 0, 2, 4, 8
Length	Mode III - 0, 1, 2, 4
Number of Segments	1 / 13 Segment
Support TMCC Info & Generation (ISDB-T info & IIP)	*ISDB-T direct modulation from DVB-ASI input is supported
Audio Output	
Signal:	AES3-id (Select ASI or AES3-id output at front panel)
Connectors:	75 Ohm BNC – one audio output per module
Format:	Dolby AC-3 audio with 5.1, AAC, MPEG 1/2, PCM
1st Audio Output (one per module):	Connector: 75 Ohm BNC
Audio Pairs Decoded:	Standard – Select any one of four stereo pairs Optional – audio decoder board for selecting one additional stereo pair, for a total of 2 of 4 stereo pairs
Audio Levels	Set to +4dBm for -20dBFS digital audio contents when the audio attenuation menu is set to zero. The audio level can be attenuated using the front panel audio configuration menu.

Digital Audio Output	<p>Choose either PCM mode or COMPRESSED audio output mode for MAIN channel. The chosen audio mode is used for all BNC output ports. You can have PCM mode only for the SUB channel.</p> <p>You may have COMPRESSED audio out of MAIN channel over BNC port and PCM audio out of SUB channel over BNC port.</p> <p>Output supports 2 channels, not 5.1</p>
Audio Decoding Standard	ISO/IEC 14496-3:2009 (MPEG-4 HE AACv2)
Redundancy	ASI or RF input with auto failover
Display	Video and TS parameters displayed via "on screen" mode (see manual)
Ethernet Input/Output	10/100/1000 Mbps, MPEG over RTP/UDP FEC supported (Pro MPEG) (IP in)
Management Ethernet	10/100/1000 Mbps SNMP, Web-browser manager
Optional FAULT Output	Contact Open on Fault
Output DC Blocking Voltage	50V max
Network Management	NMS supported through SNMP
Local Management	Front panel display LCD display for use with optional decoder module
Unit	1 RU 19-inch rackmountable
Operating Temperature	+0 ~ +45°C (32 to 113°F)
Storage Temperature	-20 ~ +50°C (-4 to 122°F)
Operating Humidity	10 to 90%, Non-condensing
Power Supply Module	AC 100-240V~50-60Hz 120W max DC 12V 8A max output
Dimensions	HxWxL: 1.7 x 19 x 13.6 inches (4.3 x 48.26 x 34.55 cm)
Weight	14 lbs. (6.356 kg.)
Conformities	<p>FCC, RoHS CE Mark: Electromagnetic Compatibility Directive 2004/108/EC Low Voltage Directive 2006/95/EC</p>
Options	
ATSC Tuner	8VSB/USA QAM Tuner (Daughter Board Option)
DVB Tuner	DVB-T/T2/C/ISDB-T Tuner (Daughter Board Option)
SAT Tuner	DVB-S/S2 Tuner (Daughter Board Option)
Dual Tuner	Combination of two ATSC/DVB SAT Tuners
Triple Tuner	Combination of three ATSC/DVB SAT Tuners
Quad Tuner	Combination of four ATSC/DVB SAT Tuners
Decoder	DTV Decoder module (without IP input/output)
Modulator	DTV modulator (includes Wide ATTN + IP input/output)
L Modulator	Affordable modulator without second Attn or IP in/out

Ordering Info

Re Mod IP DVB-S-S2/2ch to ISDB-T/2ch



Computer Modules, Inc.
11409 West Bernardo Court
San Diego, CA 92127

Tel: (858) 613-1818 Fax: (858) 613-1815

www.dveo.com