

eYe Grabber™ CMMB

Small, portable, wall powered, frequency agile VHF/UHF/CMMB S-Band modulator for the real time output of live or stored HD streams coming via USB from local hard drive, to be sent to coax RF systems. Inexpensive and easy to use device for testing and other purposes. Includes comprehensive transport stream playout application with scheduling. Also includes sample streams for instant usability.



Features

- Input: USB
- Output: CMMB
- RF Output Frequency: 470-862 MHz, 2635-2660 MHz
- Payload = Up to 32 Mbps
- RF output if content is pulled from hard drive
- Frequency agile
- GY/T 220.1-2006 compliant
- Constellations: BPSK, QPSK, 16QAM
- Subcarrier: 4096/8 MHz
- VHF/UHF/S-Band RF output up-converter
- Programmable RF output level (0.1 dB step)
- Can superposition white noise over modulated signal and control the output C/N ratio
- Feeds either an antenna or coax cable
- Field upgradeable – can be reprogrammed to add other profiles or new firmware
- Playout Scheduler – schedule tasks (5 maximum) to run daily, weekly or monthly at a certain time
- Ships with Java®-based application GUI
- Linux® and Windows® SDK's available for customization
- Customer oriented API is also available
- Sample transport streams available
- 0dBm amplifier included
- Option for Multi Function product that accepts other modulations including DVB-S, DVB-S2, DVB-T, DVB-T2, QAM, 8VSB, ATSC 3.0, DVB-C2, ISDB-T, ISDB-S, etc.
- Special Bundle Prices for multiple modulations

Applications

- Development and R&D
- Simulating Edge devices
- In Store Demos of Set Top Boxes
- Set-top box testing
- Test Equipment for RF demodulators
- Hotel and Lodging video systems

Overview

RF modulators convert video to RF (radio frequency) so the video can be transmitted to a television via its RF input. CMMB (China Mobile Multimedia Broadcasting) is the mobile TV broadcasting standard used in China. CMMB uses 2635-2660 and 470-862 MHz.

The eYe Grabber CMMB is a software definable, frequency agile modulator that sends live or recorded video streams to multiple HD monitors via inexpensive RF over coaxial cable. With its included software, one can create a powerful signage or test server.

The eYe Grabber CMMB is ideal for closed circuit video systems. For example, a company exhibiting at a trade show can pull video from a computer hard drive, connect the eYe Grabber CMMB to the computer via the USB port, and transmit video simultaneously to lots of HD monitors within the exhibit via RF cabling. It's also ideal for generating RF signals for field testing and laboratory applications.

The input is USB, single or multi program transport streams.

Customers can purchase licenses for additional modulation profiles and upgrade the unit immediately. The eYe Grabber CMMB accepts and plays out MPEG-2 or H.264 streams (SPTS or MPTS) from a local flash-based USB "stick".



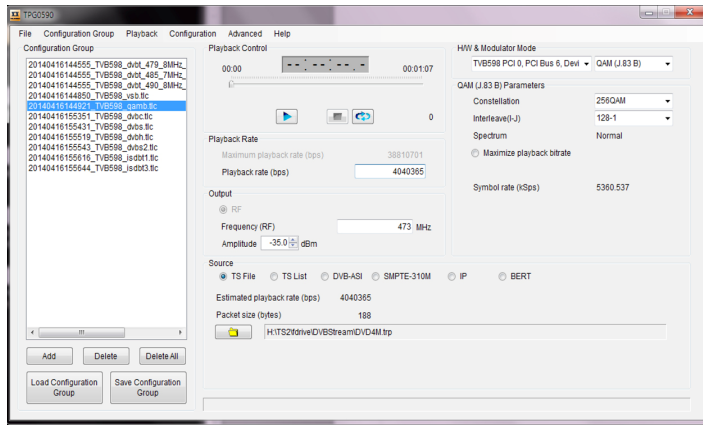
Computer Modules, Inc.

11409 West Bernardo Court

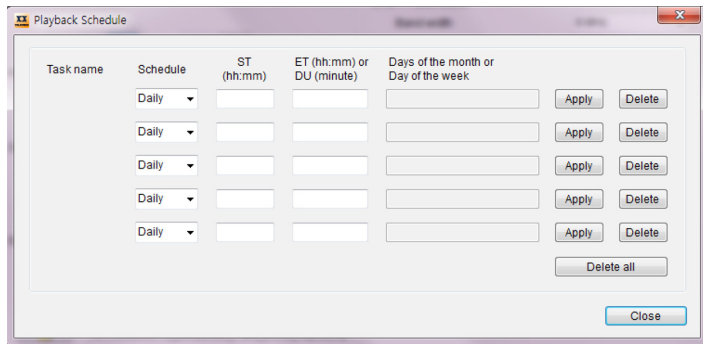
San Diego, CA 92127

Tel: 858-613-1818 Fax: 858-613-1815

www.dveo.com

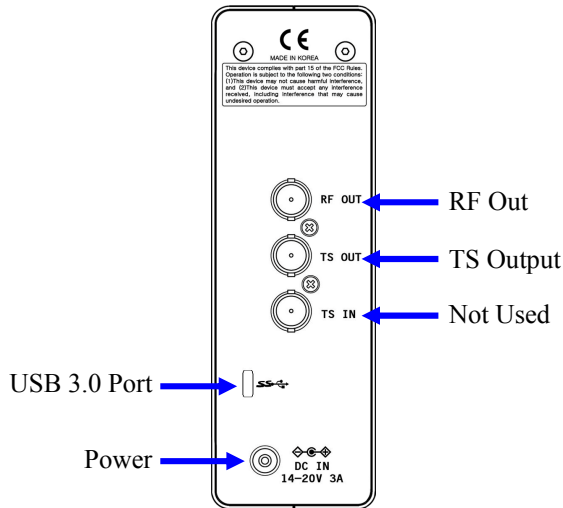


Main GUI



Playout Scheduler

Rear Connectors



Ordering Information

eYe Grabber CMMB

Note: Software ships with eYe Grabber CMMB at no additional cost.
 Note: The eYe Grabber is upgradeable with all other modulations, like DVB-S-S2, DVB-T, DVB-T2, QAM, 8VSB, ATSC 3.0, DVB-C2, DTMB, T-DMB, ISDB-Tb, ISDB-S, etc.

Inputs/Outputs

Input	USB
Output	CMMB
RF output	Frequency: 470~862 MHz 2635~2660 MHz Level: VHF/UHF -31.5 to 0 dBm Freq accuracy: Within 3ppm accuracy Attenuation step: 0.1 dB Phase noise <-90dBc/Hz @ 10 KHz
Connectors	75 Ohm BNC
Bit Rates	Up to 32 Mbps
USB	USB 3.0 high speed compliant

CMMB Specifications

Standard	GY/T 220.1-2006 compliant
Constellation	BPSK, QPSK, 16QAM
Subcarrier	4096/8 MHz
Modulation	*CMMB modulation from DVB-ASI input is not supported *CMMB stream should have control information table (CMCT)

Drivers & Software

Software	Java®-based application GUI
Drivers	Windows® 7/8/10 32 bit/64 bit, 2000, XP (32/64 bit), Vista (32/64 bit), 7 (32/64 bit), WDM, Linux® 32 bit/64 bit

Physical & Power

Dimensions (length x width x height)	9.25 x 2.76 x 6.7 inches (235 x 70 x 170 mm)
Weight	3.2 lbs. (1.45 kg)
Power	External 14-20V DC power supply
Operating Temperature	32° to 95° F (0°C to 35°C)
Humidity	10% ~ 90%, Non-condensing
Conformities	FCC, RoHS, CE Mark