

# HCoder™ 4-16ch HDMI/IP

Real time Linux® based multichannel HDMI AVC/H.264 audio and video HD live encoder with 4 to 16 HDMI inputs and 4 to 16 IP outputs. Supports input and output resolutions up to 1080p at 60 fps. Streams to Ustream and Atlas™, Wowza®, and Adobe® Flash® Servers. Optional HDMI and CVBS version available.



16PCS 1 Port HDMI Encoder in 3U Chassis

1 Main Power supply 1 for backup



## Features

- Inputs: Simultaneously captures up to 16 HDMI inputs
- Outputs: 16 simultaneous IP TS streams (RTMP or UDP)
- Outputs two RTMP streams per channel (main stream & 2nd Stream) to different media servers
- IP output protocols: RTMP, RTSP, UDP, HTTP, HLS, FLV and ONVIF
- Output resolutions: 1920x1080, 1680x1056, 1280x720, 1024x576, 850x480, 720x576, 720x540, 720x480, 720x404, 704x576, 640x480, 640x360, 608x448, 544x480, 480x480, 480x384, 480x360, 480x320, 480x272, 480x270, 400x320, 400x224, 352x480, 352x228, 320x256, 320x240, 320x180, 240x180, 176x144
- Audio encoding: AAC
- Adjustable output stream bit rate – 0.1 to 32 Mbps
- Can insert text and .BMP photos as stream logo for main stream & second stream
- Remotely manageable
- Supports firmware upgrades
- Low power consumption – 90 watts
- Optional version available with 4 to 16 HDMI inputs plus 4 to 16 CVBS inputs

## Applications

- reEncoding content for Dormitories and Apartments
- Streaming video to CDNs and web sites like Ustream®, Akamai®, Octoshape™, Verizon®, etc.
- NVR (Net Video Recorder)
- University or corporate training webcasts
- Hotel or cruise ship TV systems
- Video Conferencing
- Digital Signage

## Overview

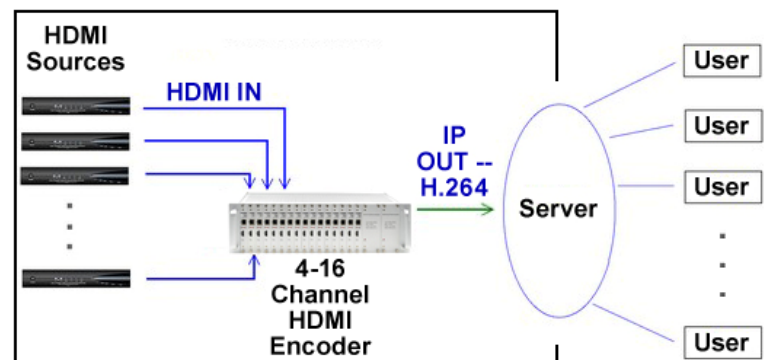
HDMI is the low cost connection for digital uncompressed video. Many video devices including cameras, DVD players, and video stream decoders output HD via HDMI to television sets.

H.264 has become the de facto standard for delivering video over IP.

DVEO's new H.264 HD audio & video encoder, the HCoder 4-16ch HDMI/IP, is a cost effective 4 to 16 channel HDMI to IP Encoder. It encodes up to 16 simultaneous HDMI inputs, then streams up to 16 IP streams to CDNs and web sites like Ustream®, Akamai®, Octoshape™, Verizon®, etc. IP protocols can be RTMP, RTSP, UDP, HTTP, HLS, FLV Stream Protocols and/or ONVIF.

The system includes remotely manageable Windows® based software. Audio encoding is AAC.

## Block Diagram



**DVEO**  
Digital Video ExtraOrdinaire™

Computer Modules, Inc.  
11409 West Bernardo Court  
San Diego, CA 92127

Tel: 858-613-1818 Fax: 858-613-1815

[www.dveo.com](http://www.dveo.com)

# Inputs/Outputs

## HDMI to IP



4-16 HDMI Inputs, 4-16 IP Output Ports

## Optional HDMI+CVBS to IP



4-16 HDMI Inputs, 4-16 CVBS Inputs, 4-16 IP Output Ports

## Specifications

### Video Encoding

Inputs:	16 simultaneous HDMI inputs Option: Additional 16 CVBS inputs
Encoding:	H.264/AVC High Profile Level 4.0
HDMI Input Resolutions:	Maximum resolution 1920 x 1080p@60 Hz
Data Rate:	0.1 to 32 Mbps Optional HDMI+CVBS version: 0.8 to 12 Mbps
Rate Control Modes:	CBR, VBR
GOP Structure:	IBBP
Advanced Pretreatment:	De-interlacing, Noise Reduction, Sharpening

### Audio Encoding

Encoding:	AAC
Sampling Rate:	Auto
Bit Rate:	48K/64K/96K/128K/160K/192K
Sampling Precision:	24 bit
Data Rate:	64 Kbps~384 Kbps

### IP Outputs

Outputs:	16 simultaneous IP streams
Interface:	100 Base-T Ethernet
Resolution:	Maximum resolution 1920 x 1080p@60 Hz Optional HDMI+CVBS version: Maximum resolution 1920 x 1080p@30 Hz, 720p@60 Hz
Protocols:	RTMP, RTSP, UDP, HTTP, HLS, FLV, ONVIF Optional HDMI+CVBS version: RTMP, RTSP, UDP, HTTP, ONVIF

### System

User Interface:	Web default IP – http://192.168.1.168/indexE.html HDMI+CVBS Option: Web default IP – 192.168.0.31
-----------------	--

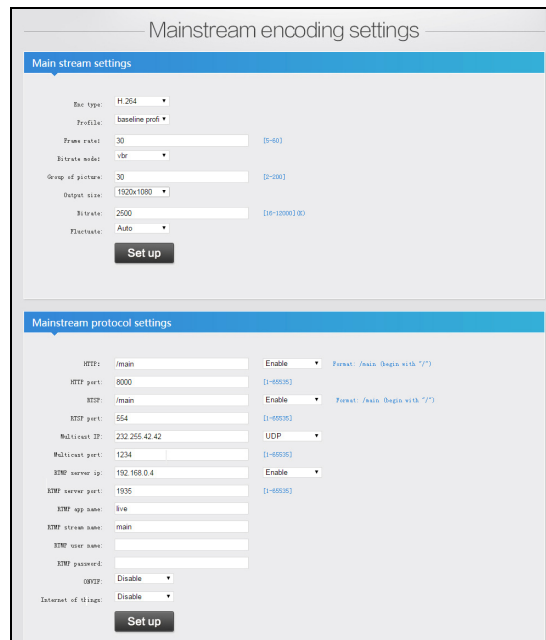
### Physical and Power

Dimensions (W x D x H):	19 x 11.8 x 5.24 inches (483 x 300 x 133 mm)
Weight:	14.33 lbs (6.5 Kg) HDMI+CVBS Option: 15.43 lbs (7 kg)
Power Supply:	110-220V
Power Consumption:	90W
Conformities:	FCC, CE

## Ordering Info

HCoder 4-16ch HDMI/IP  
CVBS option – HCoder 4-16ch HDMI+CVBS/IP

## Sample GUI



Sample Configuration Screen