

Lantana™ IP/DVB-T

Small, Standalone, Multi-Function, Frequency Agile, DVB-T Modulator with Remote Management Software and Playback Scheduler. Accepts MPEG-2 or H.264 Streams (SPTS or MPTS) from Live IP, ASI, Local USB “Stick”, or SD Memory Card. Perfect Remotely Manageable RF Modulator with Local Storage, for Digital Signage, Trade Shows, Testing, and More. Modify Setup via Any Ethernet Connection – No Computer Required to Operate. Set Up Remotely and Forget.



Features

- Input: IP, DVB-ASI, USB, or SMPTE 310M – plays transport streams from RTP/UDP over Ethernet, SD memory card, USB stick, or ASI source
- Accepts MPEG-2 or H.264 Streams (SPTS or MPTS)
- Output: DVB-T
- ETSI EN300744 v1-4-1 standard compliant
- 54 MHz and up complete VHF/UHF RF out
- Covers 55-860 MHz
- Payload = Up to 31.67 Mbps
- Supports 6, 7, or 8 MHz modes
- Supports non hierarchical inputs with 2K/4K/8K modes
- Field upgradeable – can be reprogrammed to add additional profiles or new firmware
- Playback Scheduler for Day, Week, or Month
- Ships with Java®-based application GUI
- Programmable RF output level (0.1 dB step)
- White noise addition over modulated signal to have desired C/N ratio
- Sample transport streams available
- Special Bundle Prices for multiple modulations
- Works standalone and will reboot to configured state

Applications

- Digital signage
- In Store Demo of televisions
- Sending HD video to multiple monitors in sports arenas and stadiums
- Set-top box testing
- Laboratory applications

Overview

RF modulators convert video to RF (radio frequency) so the video can be transmitted to a television via its RF input. DVB-T (Digital Video Broadcasting – Terrestrial) is the European standard for broadcasting digital TV “over the air”.

The Lantana IP/DVB-T is a remotely operated, software definable, frequency agile modulator that sends live or recorded video streams to multiple HD monitors via inexpensive RF over coaxial cable. With its included software, one can create a powerful remote signage server. It does not need a computer to feed content to it.

For example, retailers can install one unit at each store, along with a USB thumb drive loaded with numerous videos. Using remote management software, an operator in the home office can program which video will play out on multiple HD monitors at each location. The Lantana IP/DVB-T is also suitable for set-top box testing and laboratory applications.

The input can be IP, USB, DVB-ASI, or SMPTE 310M, single or multi program transport streams. One DVB-T channel can have two HD streams.

Customers can purchase licenses for additional modulation profiles and upgrade the unit immediately. The Lantana IP/DVB-T accepts and plays out MPEG-2 or H.264 streams (SPTS or MPTS) from IP or ASI, or plays transport streams from a local flash-based USB “stick”.



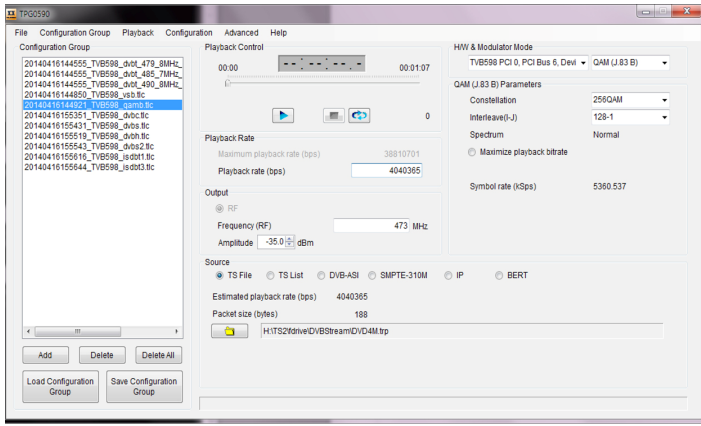
Computer Modules, Inc.

11409 West Bernardo Court

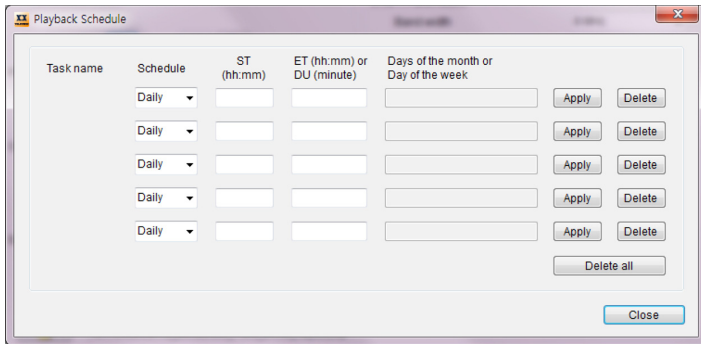
San Diego, CA 92127

Tel: 858-613-1818 Fax: 858-613-1815

www.dveo.com

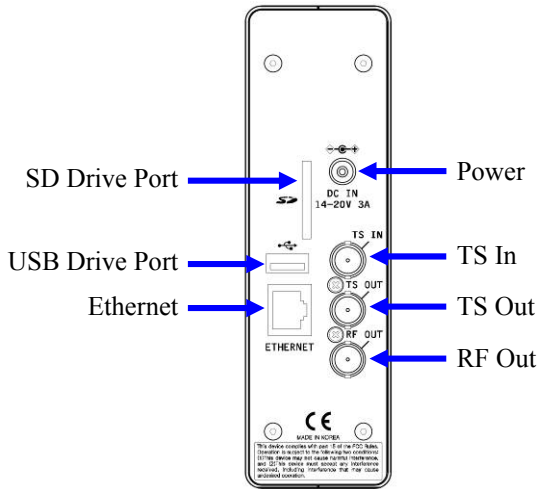


Main GUI



Playout Scheduler

Rear Connectors



Ordering Information

Lantana IP/DVB-T

Note: Software ships with Lantana IP/DVB-T at no additional cost.
 Note: This unit is upgradeable with all other modulations, like DVB-T2, 8VSB, QAM, DVB-C2, DVB-S/S2, ISDB-Tb, ISDB-S, CMMB, DTMB, T-DMB, etc.

© 2018 Computer Modules, Inc. DVEO and Lantana are trademarks of Computer Modules, Inc. All other trademarks and registered trademarks are the properties of their respective owners. All rights reserved. Specifications are subject to change without notice.

Inputs/Outputs

Input	UDP over IP (CBR only), USB, SD card, DVB-ASI, or SMPTE 310M
Output	DVB-T
RF output	Frequency: VHF/UHF 55~860 MHz Level: VHF/UHF -31.5 to 0 dBm Freq. accuracy: Within 3ppm accuracy Phase noise <-90dBc/Hz @ 10 KHz
Connectors	75 Ohm BNC
Bitrates	Up to 31.67 Mbps
Ethernet	10/100/1000 Mbit Ethernet port for remote control and TS input
USB	USB 2.0 for flash memory
SD Card	SDHC class 2/4/6/10 supported

DVB-T Specifications

Standard	ETSI EN300744 v1-4-1 compliant Non-hierarchical single program mode
Punctured Code Rate	1/2, 2/3, 3/4, 5/6, 7/8 selectable
Constellation	QPSK, 16-QAM, 64-QAM
Transmission Modes	2k/8k mode selectable
Guard Interval	1/4, 1/8, 1/16, 1/32 selectable
Bandwidth	6/7/8 MHz mode selectable

Physical & Power

Dimensions (length x width x height)	9.25 x 2.76 x 6.7 inches (235 x 70 x 170 mm)
Weight	3.2 lbs. (1.45 kg)
Power	External 14-20V DC power supply
Operating Temperature	32° to 95° F (0°C to 35°C)
Humidity	10% ~ 90%, Non-condensing
Conformities	FCC, RoHS, CE Mark



Computer Modules, Inc.
 11409 West Bernardo Court
 San Diego, CA 92127

Tel: (858) 613-1818 Fax: (858) 613-1815

www.dveo.com