

Lantana™ IP/ISDB-Tb

Small, Standalone, Multi-Function, Frequency Agile, ARIB STD-B31 Compatible ISDB-Tb Modulator with Remote Management Software and Playback Scheduler. Accepts H.264 Streams (SPTS or MPTS) from IP, Local USB “Stick”, or SD Memory Card. Perfect Remotely Manageable RF Modulator with Local Storage, for Digital Signage, Trade Shows, Testing, and More. Modify Setup via Any Ethernet Connection – No Computer Required to Operate. Set Up Remotely and Forget. Will Play Multiple Stored Clips from Internal Play List via a Scheduler.



ISDB-Tb

Overview

RF modulators convert a video signal to RF (radio frequency) so the video can be transmitted to a television via its RF input.

ISDB-Tb (Integrated Services Digital Broadcast – Terrestrial) is the digital broadcasting standard used in Japan and Brazil for mobile and regular terrestrial digital TV.

The **Lantana IP/ISDB-Tb** is a remotely operated, software definable, frequency agile modulator that sends live or recorded video streams to multiple HD monitors via inexpensive RF over coaxial cable. With its included software, one can create a powerful remote signage server. It does not need a computer to feed content to it.

For example, retailers can install one unit at each store, along with a USB thumb drive loaded with numerous videos. Using remote management software, an operator in the home office can program which video will play out on multiple HD monitors at each location. The Lantana IP/ISDB-Tb is also suitable for set-top box testing and laboratory applications.

The input can be IP or USB, single or multi program transport streams. One ISDB-Tb channel can have two HD streams.

Customers can purchase licenses for additional modulation profiles and upgrade the unit immediately. The Lantana IP/ISDB-Tb accepts and plays out H.264 streams (SPTS or MPTS) from IP, or plays transport streams from a local flash-based USB “stick”.

Features

- Input: IP or USB – plays transport streams from RTP/UDP over Ethernet, SD memory card, or USB stick
- Accepts H.264 Streams (SPTS or MPTS)
- Output: Frequency Agile ISDB-Tb
- RF Output Frequency: 55-860 MHz
- Payload = Up to 30.979 Mbps
- ARIB STD-B31 v1.6 compliant
- Field upgradeable – can be reprogrammed to add additional profiles
- Playback Scheduler for Day, Week, or Month
- Ships with Java®-based application GUI
- Programmable RF output level (0.1 dB step)
- White noise addition over modulated signal to have desired C/N ratio
- Sample transport streams available
- Special Bundle Prices for multiple modulations
- Works standalone and will reboot to configured state

Applications

- Digital signage
- In Store Demos of ISDB-Tb receivers
- Sending HD video to multiple monitors in sports arenas and stadiums
- Set-top box testing
- Laboratory applications

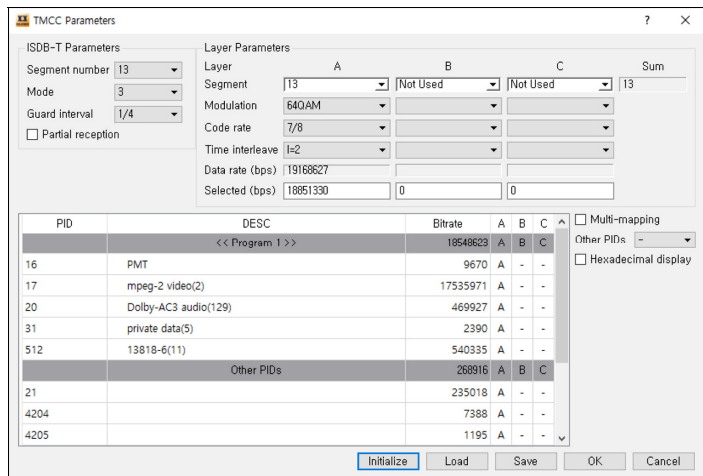


Computer Modules, Inc.

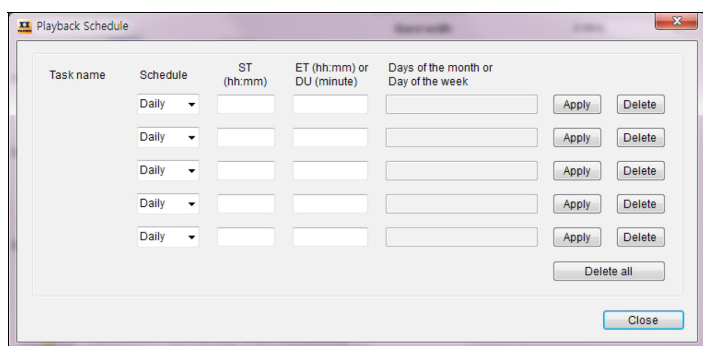
11409 West Bernardo Court
San Diego, CA 92127

Tel: 858-613-1818 Fax: 858-613-1815

www.dveo.com

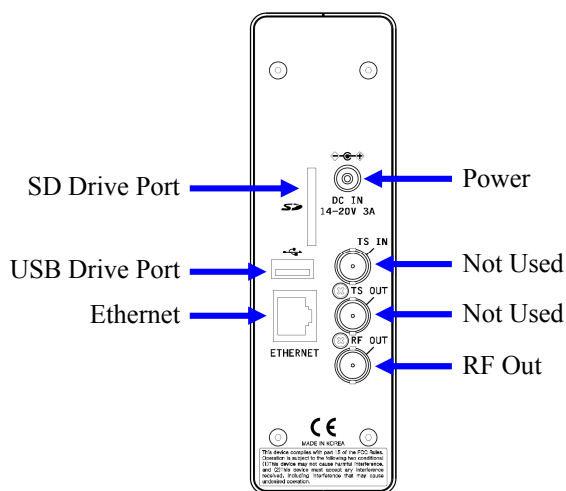


ISDB-Tb Parameters



Playout Scheduler

Rear Connectors



Ordering Information

Lantana IP/ISDB-Tb

Note: Software ships with Lantana IP/ISDB-Tb at no additional cost.
 Note: This unit is upgradeable with all other modulations, like ISDB-S, QAM, 8VSB, DVB-C2, DVB-S/S2, DVB-T, DVB-T2, CMMB, DTMB, T-DMB, etc.

Inputs/Outputs

Input	UDP over IP (CBR only), USB, or SD card
Output	ISDB-Tb
RF output	Frequency: VHF/UHF 55~860 MHz Level: VHF/UHF -31.5 to 0 dBm Freq. accuracy: Within 3 ppm accuracy Attenuation step: 0.1 dB Phase noise <-90dBc/Hz @ 10 KHz
Connectors	75 Ohm BNC
Bitrates	Up to 30.979 Mbps
Ethernet	10/100/1000 Mbit Ethernet port for remote control and TS input
USB	USB 2.0 for flash memory
SD Card	SDHC class 2/4/6/10 supported

ISDB-Tb Specifications

Standard	ARIB STD-B31 v1.6 compliant
Mode	Mode I, Mode II, Mode III
Code Rates	1/2, 2/3, 3/4, 5/6, 7/8 selectable
Mapping	DQPSK, QPSK, 16QAM, 64QAM
Guard Interval	1/4, 1/8, 1/16, 1/32
Timing Interleaving Length	Mode I - 0, 4, 8, 16 Mode II - 0, 2, 4, 8 Mode III - 0, 1, 2, 4
Number of Segments	1 / 13 Segment
Support TMCC Info & Generation (ISDB-Tb info & IIP)	*ISDB-Tb direct modulation from DVB-ASI input is not supported

Physical & Power

Dimensions (length x width x height)	9.25 x 2.76 x 6.7 inches (235 x 70 x 170 mm)
Weight	3.2 lbs. (1.45 kg)
Power	External 14-20V DC power supply
Operating Temperature	32° to 95° F (0°C to 35°C)
Humidity	10% ~ 90%, Non-condensing
Conformities	FCC, RoHS, CE Mark