
VX-29MC

AERIAL IMAGING / SURVEILLANCE CAMERA



The VX-29MC is a Camera Link version of VX series proving an extremely robust and powerful interface. It is ideal for aerial imaging and high-end surveillance applications which require highest attention to detail. The VX-29M camera incorporates a 29 million pixel interline transfer CCD with resolution of $6,576 \times 4,384$. Taking pictures with this camera is made easy with features such as; Automatic Exposure, Automatic Gain and Automatic Iris (optional lens control mount) control.

VX-29MC

AERIAL IMAGING / SURVEILLANCE CAMERA

Main Features

- * 29 Megapixel Resolution (ON Semiconductor IT Progressive)
- * Extended Operating Temperature: -40°C ~ 85°C
- * Auto Controls (Exposure, Gain, Aperture, Focus)
- * Canon-EF Adapter Control
- * Smear Correction
- * Flexible Binning
- * Internal Frame Buffer
- * User Adjustable Back Focus
- * Field Upgradable Firmware
- * Pixel Defect Correction
- * Excellent Anti-blooming and Anti-smear

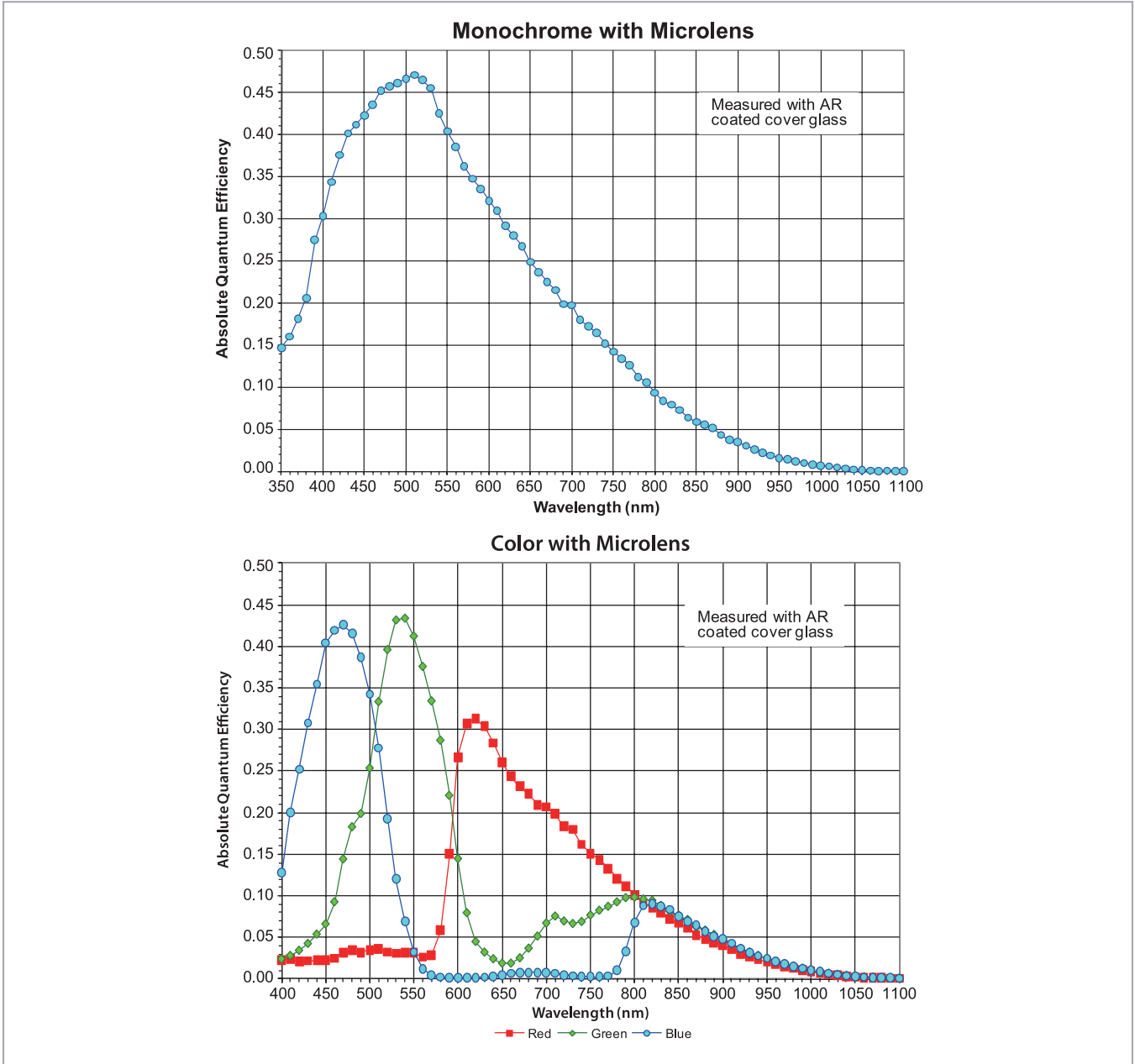
Applications

- * Aerial Imaging
- * Ground Surveillance
- * Research and Scientific Imaging

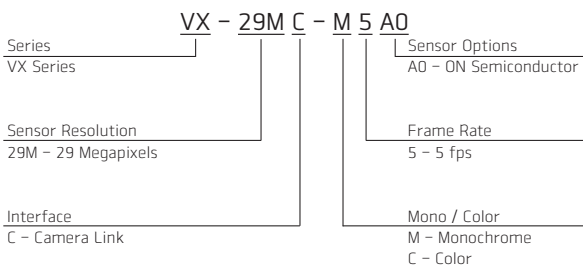
Specifications

Model	VX-29MC-M/C 5
Resolution (H × V)	6576 × 4384, 28.8M
Sensor	ON Semiconductor KAI-29050
Sensor Size (Optical Format)	35 mm
Sensor Type	Progressive Scan Interline Transfer CCD
Pixel Size	5.5 μm × 5.5 μm
Sensor Output	1, 2 or 4 Tap
Interface	Camera Link (SDR)
Max. Frame Rate (40 MHz)	4.6 fps (4 Tap) / 2.3 fps (2 Tap) / 1.2 fps (1 Tap)
Exposure Time	14/1,000,000 - 7 s
Partial Scan (Max. Speed)	17.3 fps at 500 Lines
Pixel Data Format	8 / 10 / 12 bit
Electronic Shutter	Global Shutter
Data Output Pixel Clock	30/40 MHz
Exposure Mode	Timed Exposure, Trigger Width Exposure, Double Exposure
Dynamic Range	64 dB
Binning	×1, ×2, ×3, ×4, ×8 (Horizontal and Vertical Independent)
Smear	-100 dB (Enhanced Correction Supported)
Lookup Table	G = 1.0, Knee Control - User Defined Lookup Table (LUT)
Black Level	Adjustable (0 ~ 127 LSB at 12 bit, 256 steps)
Analog Gain	×1 ~ ×40 (0 ~ 32 dB)
Digital Gain	×1 ~ ×64 (1/1024 step)
Dimension / Weight	74 mm × 65 mm × 103 mm, 570 g (with F-mount) 74 mm × 65 mm × 101 mm, 570 g (with Canon -EF Adapter)
Temperature	Operating: -40°C ~ 85°C, Storage: -40°C ~ 90°C
Vibration / Shock	10G (20 ~ 200 Hz) XYZ / 70G 10 ms
Lens Mount	F-mount or Interface for Canon-EF Adapter
Power	10~15 V DC, Typ. 9 W
Configuration Software	Configurator

Quantum Efficiency Curves



Ordering Scheme



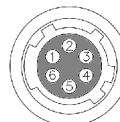
Connector Specification

Power



1 2 3: +12V DC, 4 5 6: GND
(HR10A-7R-6PB)

Control



1: Trigger IN+, 2: Trigger IN-
3: Strobe Out, 4: DC Ground
5: RS-232-RX←, 6: RS-232 TX→
(HR10A-7R-6SB)

Connectors on camera body

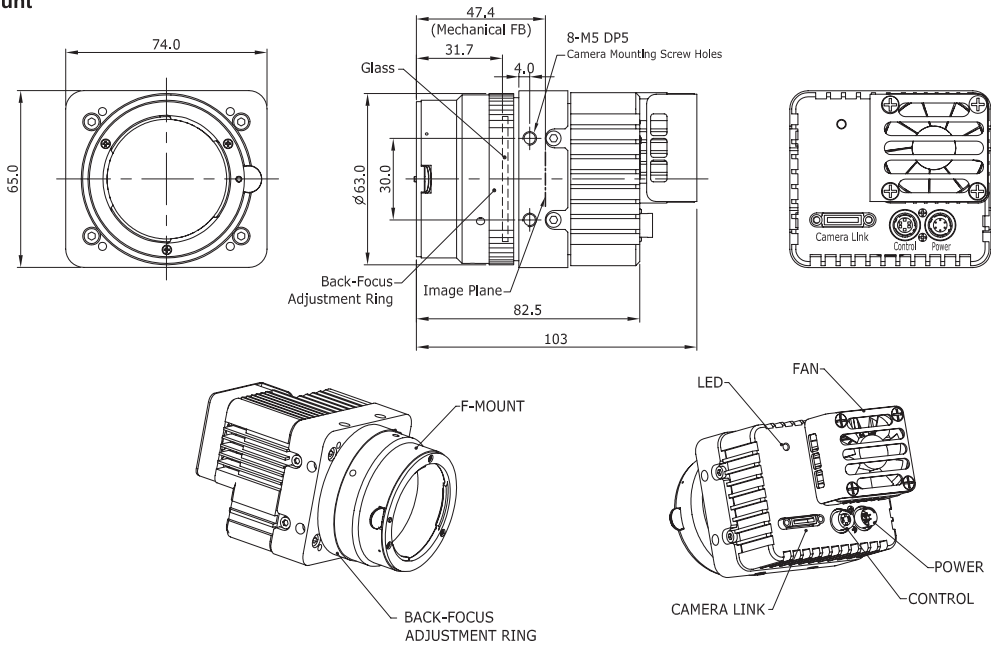
VX-29MC

AERIAL IMAGING / SURVEILLANCE CAMERA

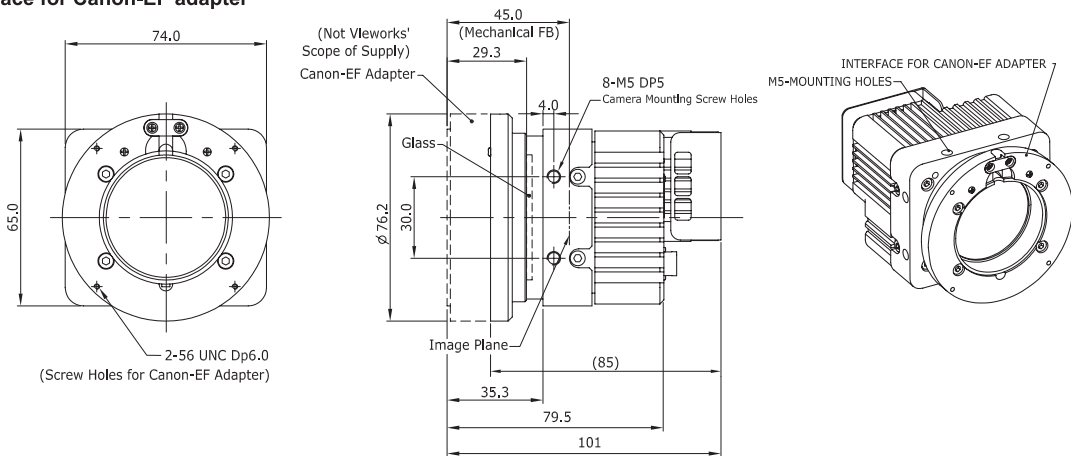
Mechanical Dimensions

Unit: mm

F-mount



Interface for Canon-EF adapter



For more information please contact local distributor or visit our website at <http://www.vieworks.com>.

Reproduction in whole or in part without written permission is prohibited. Vieworks Co., Ltd. is not responsible for any technical or typographical errors and reserves the right to make changes to products, specifications and documentation without prior notice.

RA14-13B-024

VIEWORKS

41-3, Burim-ro 170 beon-gil, Dongan-gu, Anyang-si, Gyeonggi-do, 14055 Republic of Korea
tel +82-70-7011-6161 fax +82-31-386-8631 e-mail sales@vieworks.com