

eYe Grabber™ ISDB-Tb

Small, portable, wall powered, frequency agile ARIB STD-B31 compatible ISDB-Tb Modulator for the real time output of live or stored HD streams coming via USB from local hard drive, to be sent to IRD's and set top boxes equipped with built-in ISDB-Tb tuners. Inexpensive and easy to use device for use in commercial establishments where a video based message is available from the local hard drive. Comes with comprehensive Java®-based application to select channels, set up modulation modes, select transport streams to play, and schedule playback for later.



ISDB-Tb

Overview

RF modulators convert video to RF (radio frequency) so the video can be transmitted to a television via its RF input. ISDB-Tb (Integrated Services Digital Broadcast – Terrestrial) is the digital broadcasting standard used in Japan and Brazil for mobile and regular terrestrial digital TV.

The eYe Grabber ISDB-Tb is a software definable, frequency agile modulator that sends live or recorded video streams to multiple HD monitors via inexpensive RF over coaxial cable. With its included software, one can create a powerful signage or test server.

The eYe Grabber ISDB-Tb is ideal for closed circuit video systems. For example, a company exhibiting at a trade show can pull video from a computer hard drive, connect the eYe Grabber ISDB-Tb to the computer via the USB port, and transmit video simultaneously to lots of HD monitors within the exhibit via RF cabling. It's also ideal for generating RF signals for field testing and laboratory applications.

The input is USB, single or multi program transport streams.

Customers can purchase licenses for additional modulation profiles and upgrade the unit immediately. The eYe Grabber ISDB-Tb accepts and plays out H.264 streams (SPTS or MPTS) from a local flash-based USB “stick”.

Features

- Input: USB
- Output: ISDB-Tb
- RF Output Frequency: 55-860 MHz
- Payload = Up to 30.979 Mbps
- RF output if content is pulled from hard drive
- Frequency agile
- ARIB STD-B31 v1.6 compliant
- Programmable RF output level (0.1 dB step)
- Can superposition white noise over modulated signal and control the output C/N ratio
- Feeds either an antenna or coax cable
- Field upgradeable – can be reprogrammed to add other profiles or new firmware
- Playout Scheduler – schedule tasks (5 maximum) to run daily, weekly or monthly at a certain time
- Ships with Java®-based application GUI
- Linux® and Windows® SDK's available for customization
- Customer oriented API is also available
- Sample transport streams available
- 0dBm amplifier included
- Option for Multi Function product that accepts other modulations including ISDB-S, DVB-S, DVB-S2, DVB-T, DVB-T2, QAM, 8VSB, ATSC 3.0, DVB-C2, CMMB, etc.
- Special Bundle Prices for multiple modulations

Applications

- Development and R&D
- Simulating Edge devices
- In Store Demos of Set Top Boxes
- Set-top box testing
- Test Equipment for RF demodulators
- Hotel and Lodging video systems



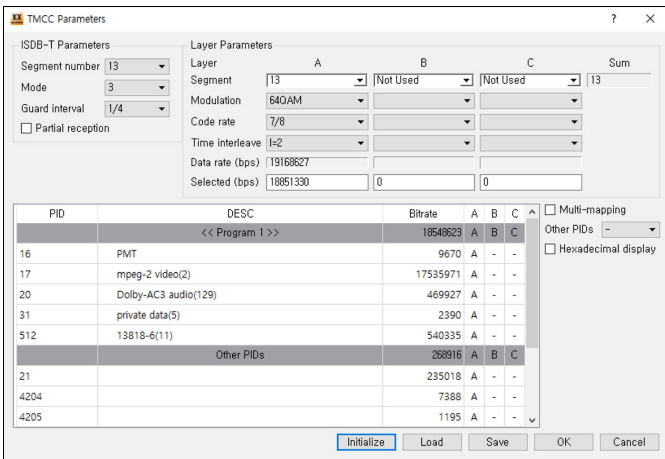
Computer Modules, Inc.

11409 West Bernardo Court

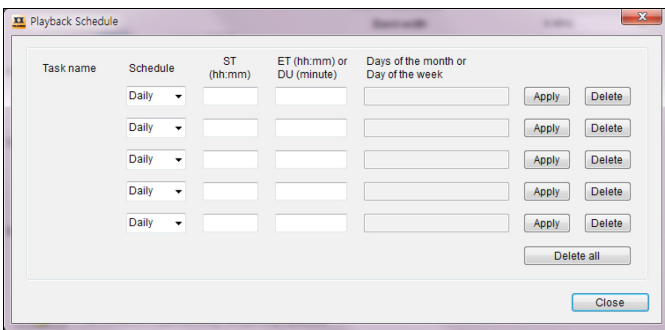
San Diego, CA 92127

Tel: 858-613-1818 Fax: 858-613-1815

www.dveo.com

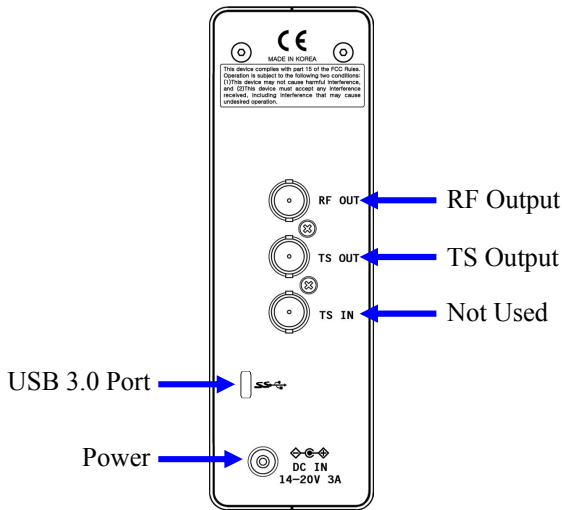


ISDB-Tb Parameters



Playout Scheduler

Rear Connectors



Ordering Information

eYe Grabber ISDB-Tb

Note: Software ships with eYe Grabber ISDB-Tb at no additional cost.
 Note: The eYe Grabber is upgradeable with all other modulations, like ISDB-S, DVB-S-S2, DVB-T, DVB-T2, QAM, 8VSB, ATSC 3.0, DVB-C2, CMMB, DTMB, T-DMB, etc.

Inputs/Outputs

Input	USB
Output	ISDB-Tb
RF output	Freq: VHF/UHF 55~860 MHz Level: VHF/UHF -31.5 to 0 dBm Freq accuracy: Within 3ppm accuracy Attenuation step: 0.1 dB Phase noise <-90dBc/Hz @ 10 KHz
Connectors	75 Ohm BNC
Bit Rates	Up to 30.979 Mbps
USB	USB 3.0 high speed compliant

ISDB-Tb Specifications

Standard	ARIB STD-B31 v1.6 compliant
Mode	Mode I, Mode II, Mode III
Code Rates	1/2, 2/3, 3/4, 5/6, 7/8 selectable
Mapping	DQPSK, QPSK, 16QAM, 64QAM
Guard Interval	1/4, 1/8, 1/16, 1/32
Timing	Mode I - 0, 4, 8, 16
Interleaving	Mode II - 0, 2, 4, 8
Length	Mode III - 0, 1, 2, 4
Number of Segments	1 / 13 Segment
Support TMCC Info & Generation (ISDB-Tb info & IIP)	*ISDB-Tb direct modulation from DVB-ASI input is not supported

Drivers & Software

Software	Java®-based application GUI
Drivers	Windows® 7/8/10 32 bit/64 bit, 2000, XP (32/64 bit), Vista (32/64 bit), 7 (32/64 bit), WDM, Linux® 32 bit/64 bit

Physical & Power

Dimensions (length x width x height)	9.25 x 2.76 x 6.7 inches (235 x 70 x 170 mm)
Weight	3.2 lbs. (1.45 kg)
Power	External 14-20V DC power supply
Operating Temperature	32° to 95° F (0°C to 35°C)
Humidity	10% ~ 90%, Non-condensing
Conformities	FCC, RoHS, CE Mark