

HCoder™ 4-16ch Analog/IP

Real time Linux® based multichannel Analog CVBS (composite) AVC/H.264 audio and video HD live encoder with 4 to 16 CVBS inputs and 4 to 16 IP outputs. CVBS output streams same resolution as input. Streams to Ustream and Atlas™, Wowza®, and Adobe® Flash® Servers. Optional HDMI version available.



16 PCS 1 Port CVBS Encoder in 3RU Chassis 1 Main Power Supply 1 for backup



Features

- Inputs: Simultaneously captures up to 16 Analog inputs
- Outputs: 16 simultaneous IP TS streams (RTMP or UDP)
- Outputs two RTMP streams per channel (main stream & 2nd Stream) to different media servers
- IP output protocols: RTMP, RTSP, UDP, HTTP, and ONVIF
- Output resolution: Same resolution as input
- Audio encoding: AAC
- Adjustable output stream bit rate – 0.8 to 12 Mbps
- Can insert text and .BMP photos as stream logo for main stream & second stream
- Remotely manageable
- Supports firmware upgrades
- Low power consumption – 90 watts
- Optional version available with 4 to 16 HDMI inputs

Applications

- reEncoding content for Dormitories and Apartments
- Streaming video to CDNs and web sites like Ustream®, Akamai®, Octoshape™, Verizon®, etc.
- NVR (Net Video Recorder)
- University or corporate training webcasts
- Hotel or cruise ship TV systems
- Video Conferencing
- Digital Signage

Overview

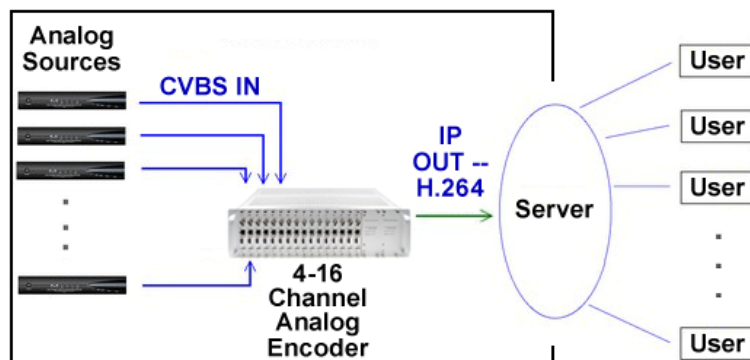
Analog is the low cost connection for digital uncompressed video. Many video devices including cameras, DVD players, and video stream decoders output HD via Analog to television sets.

H.264 has become the de facto standard for delivering video over IP.

DVEO's new H.264 HD audio & video encoder, the HCoder 4-16ch Analog/IP, is a cost effective 4 to 16 channel Analog to IP Encoder. It encodes up to 16 simultaneous Analog inputs, then streams up to 16 IP streams to CDNs and web sites like Ustream®, Akamai®, Octoshape™, Verizon®, etc. IP protocols can be RTMP, RTSP, UDP, HTTP Stream Protocols and/or ONVIF.

The system includes remotely manageable Windows® based software. Audio encoding is AAC.

Block Diagram



Computer Modules, Inc.

11409 West Bernardo Court

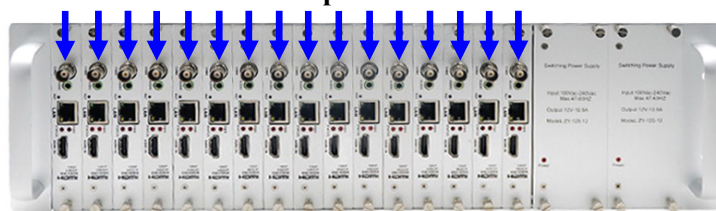
San Diego, CA 92127

Tel: 858-613-1818 Fax: 858-613-1815

www.dveo.com

Inputs/Outputs

CVBS Inputs



4-16 Analog Inputs, 4-16 IP Output Ports

Specifications

Sample GUI

Video Encoding

Inputs:	16 simultaneous Analog (CVBS) inputs
Encoding:	H.264/AVC High Profile Level 4.0
Data Rate:	0.8 to 12 Mbps
Rate Control Modes:	CBR, VBR
GOP Structure:	IBBP
Advanced Pretreatment:	De-interlacing, Noise Reduction, Sharpening

Audio Encoding

Encoding:	AAC
Sampling Rate:	Auto
Bit Rate:	48K/64K/96K/128K/160K/192K
Sampling Precision:	24 bit
Data Rate:	64 Kbps~384 Kbps

IP Outputs

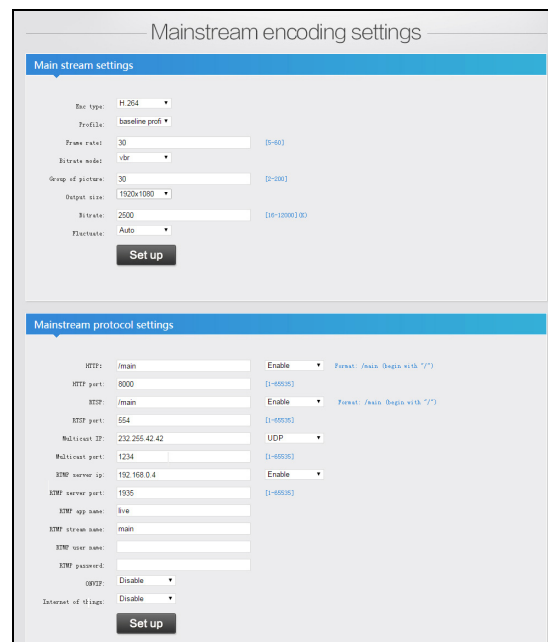
Outputs:	16 simultaneous IP streams
Interface:	100 Base-T Ethernet
Resolution:	CVBS output streams same resolution as input
Protocols:	RTMP, RTSP, UDP, HTTP, ONVIF

System

User Interface:	Web default IP – 192.168.0.31
-----------------	-------------------------------

Physical and Power

Dimensions:	19 x 11.8 x 5.24 inches (W x D x H) 483 x 300 x 133 mm (W x D x H)
Weight:	15.43 lbs (7 kg)
Power Supply:	110-220V
Power Consumption:	90W
Conformities:	FCC, CE



Sample Configuration Screen

Ordering Info

HCoder 4-16ch Analog/IP
HDMI Option -- HCoder 4-16ch HDMI/IP



Digital Video ExtraOrdinaire™

Computer Modules, Inc.

11409 West Bernardo Court

San Diego, CA 92127

Tel: 858-613-1818 Fax: 858-613-1815

www.dveo.com